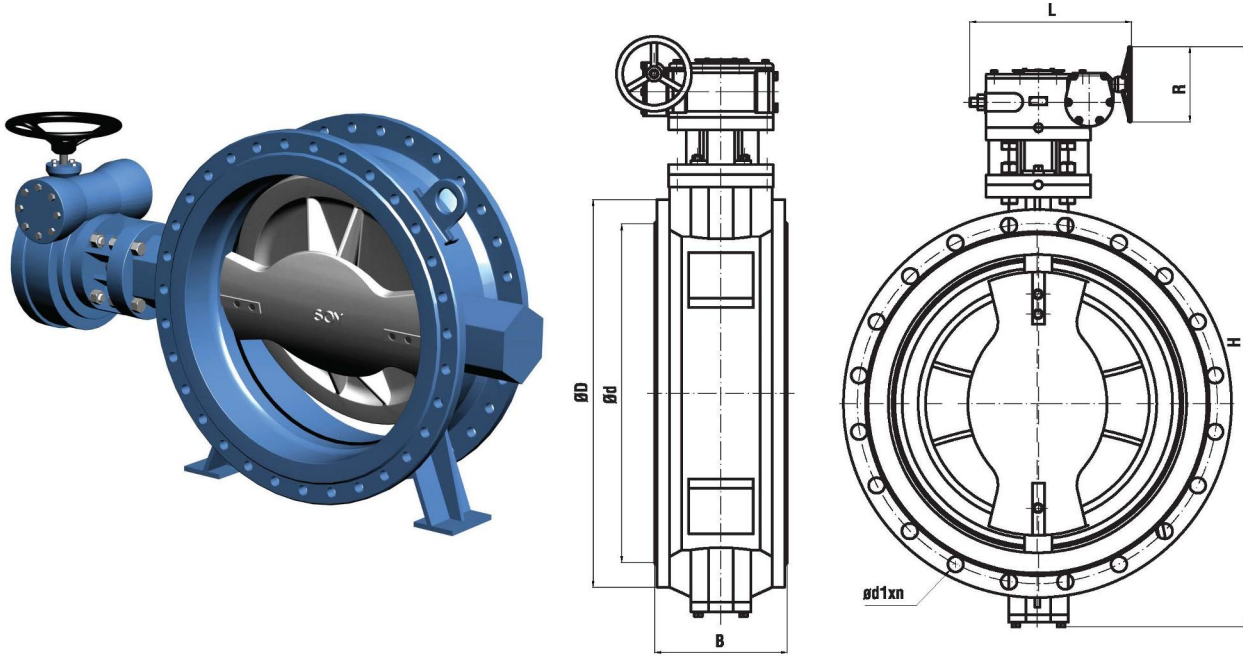


## Çift Flanşlı Çift Eksantrikli Kelebek Vana Double Flanged Double Excentric Butterfly Valve



NO	PARÇA ADI	PART NAME	MATERIAL NO	PARÇA ADI	PART NAME	MATERIAL	
1	PUL	WASHER	STEEL	19	AYNA BİLEZİĞİ	CHUCK RING	GGG 40
2	CİVATA	BOLT	STEEL	20	SİT	UPPER BUSHING	F4
3	KAPAK	COVER	GGG 40	21	O-RİNG	O-RING	NBR
4	O-RİNG	O-RING	NBR	22	MİL	SEAL CAGE	CuZn38Mn2Pb2
5	BİLEZİK	RING	2Cr13	23	GLEN	GLAND	GGG 40
6	KAPAK	LOWER BUSHING	F4	24	CİVATA	BOLT	STEEL
7	GÖVDE	BODY	GGG 40	25	SAPLAMA	STUDS	STEEL
8	GÖVDE CONTASI	BODY SEALING RING	NBR	26	PUL	WASHER	STEEL
9	GÖVDE CONTASI ÇELİK	BODY SEAL. ST.RING	STEEL	27	CİVATA	BOLT	STEEL
10	KLAPE CONTASI	DISC SEALING RING	EPDM	28	RULMAN	BEARINGS	GGG 40
11	CİVATA	BOLT	STEEL	29	ANAHTAR	KEY	STEEL
12	PUL	WASHER	STEEL	30	DIŞLI KUTUSU	GEARING BOX	STEEL
13	CİVATA	SCREW	STEEL	31	ETİKET	NAME PLATE	AISI 304
14	KLAPE	DISC	GGG 40	32	PERÇİN	RIVET	L3
15	ALT ŞAFT	LOWER SHAFT	2Cr13	33	CİVATA	BOLT	STEEL
16	ÜST ŞAFT	UPPER SHAFT	2Cr13	34	SOMUN	NUT	STEEL
17	KİLİTLEME CİVATASI	HOLDING SCREW	STEEL	35	PUL	WASHER	STEEL
18	PİM	PIN	2Cr13				

### UYGULAMA ALANLARI / APPLICATIONS

ATIK SU , SU DAĞITIM , SU ARITMA , ISITMA-SOĞUTMA  
HAVALANDIRMA / WASTE WATER , WATER TREATMENT,  
HVAC

BAĞLANTILAR / ENDS: DIN EN1092-2  
ÇALIŞMA BASINCI / WORKING PRESSURE : PN16

• Büyük ölçüler için lütfen iletişime geçiniz.

DN	H	PN10			PN6			L	B	R	KG
		D	d	d1xn	D	d	d1xn				
100	419	220	156	19x8	220	156	19x8	210	127	150	19
150	583	285	211	23x8	285	211	23x8	210	140	150	37
200	692	340	266	23x8	340	266	23x8	315	152	300	51
250	784	395	319	23x12	395	319	23x12	315	165	300	68
300	874	445	370	23x12	445	370	23x12	242	178	300	93
350	1000	505	429	23x16	505	429	23x16	275	190	400	122
400	1062	565	480	28x16	565	480	28x16	275	216	400	152
450	1165	615	530	28x20	615	530	28x20	420	222	400	182
500	1225	670	582	28x20	670	582	28x20	420	229	400	230
600	1400	780	682	31x20	755	667	26x20	476	267	400	388
700	1535	895	794	31x24	860	722	26x24	476	292	400	480
800	1720	1015	901	34x24	975	878	31x24	577	318	500	661
900	1840	1115	1001	34x28	1075	978	31x24	577	330	500	813
1000	2000	1230	1112	37x28	1175	1078	31x28	577	410	500	1018